

TSUBAKI SEAMLESS LIGHT TYPE V RGBW

RGB / RGBW LEDs



KEY FEATURES AND BENEFITS

- **IP67 Rated flexible LED Strip with Top-Bend**
- **RGB/RGBW Full color type**
- **Covered by Patented Silicone Rubber Case**
- **Patented Unique Design Structure**
- **Uniformed brightness with Copper wires**
- **LEDs sealed by Silicone**
- **Installation** : See ACCESSORIES for options on straight and flexible mounting channels.
- **Environment** : Exterior. IP 67 rated . Water and dust resistant. Proper drainage required. Products should not reside in standing water. Not for use as a submersible light Source.
- **Power and Control** : DMX-512, DALI on/off, and dimming control options. Contact factory for more information.

ORDERING

PRODUCT No.

TL	10	- 090D	M	5050
1	2		3	4
PRODUCT	OUTPUT		LED COLOR	LEAD WIRES
				5
				LENGTH

1 PRODUCT
TL-DM Tsubaki Seamless Light TL-DMW Type V RGB / RGBW
2 OUTPUT
10 LED 10mm pitch
3 LED COLOR
M RGB
M28 RGBW(W=2800K)
M50 RGBW(W=5000K)

4 LEAD WIRES
- Lead wires at one end. W Lead wires at both ends.
5 LENGTH
See length ordering guide.

PRODUCT SPECIFICATIONS

LEDS	96 /m
LED PITCH	10 mm
RGB type	RED 110 lm/m
	GREEN 250 lm/m
	BLUE 40 lm/m
RGBW type	RED 110 lm/m
	GREEN 250 lm/m
	BLUE 40 lm/m
	2800K 340 lm/m
	5000K 410 lm/m
INPUT	24VDC±1%
WATTS	RGB : 10 W/m
	RGBW : 15 W/m
WIDTH ¹	28 mm
HEIGHT ¹	17 mm
LENGTH ²	70 mm ~ 5050 mm
WEIGHT	300g per meter
BEAM ANGLE	180°
TRIM POINTS	Every 60 mm
Max Unit Connectable	10.1 m
Bending Radius	150 mm vertical
Operating Temperature	-10° to 55° C

¹ End cap is 25w×22h mm. See DRAWINGS.

² Standard. See LENGTH ORDER GUIDE. *upto 10m is available as customer order

PRODUCT No.

Standard	"W" Type ¹	LED COLOR
TL10-090DM	TL10-090DMW	RGB
TL10-090DM28K	TL10-090DM28KW	RGBW(W=2800K)
TL10-090DM50K	TL10-090DM50KW	RGBW(W=5000K)

¹Lead wires at both ends* Type

TSUBAKI SEAMLESS LIGHT TYPE V RGBW

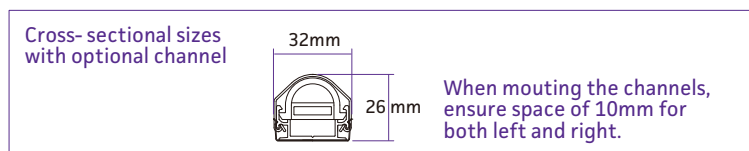
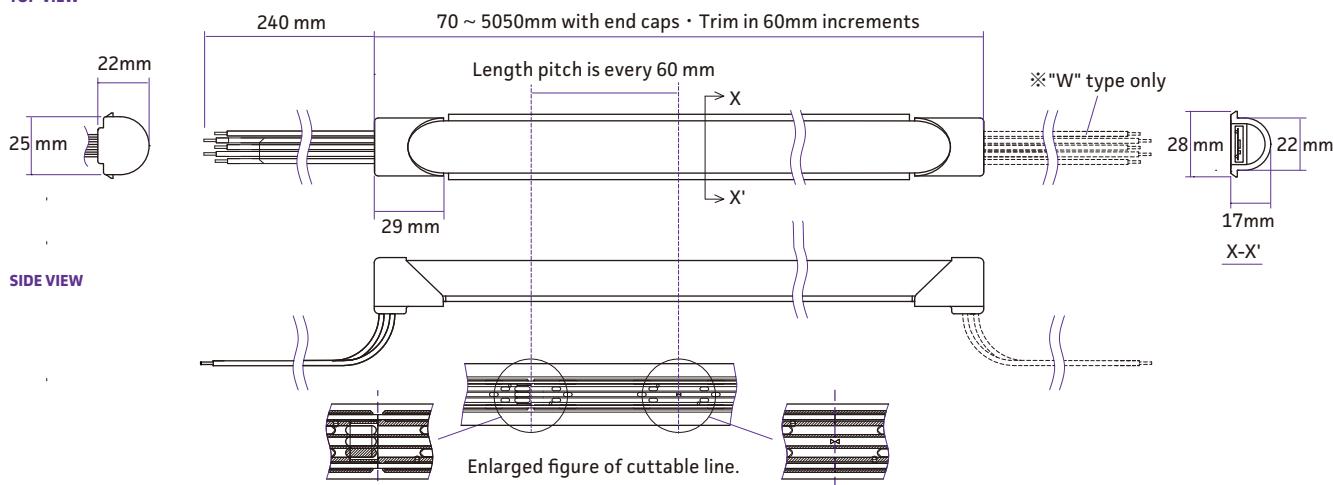
RGB / RGBW LEDS

LENGTH ORDER CODE GUIDE (LENGTHS INCLUDE END CAPS.)

MM	MM	MM	MM	MM	MM	MM	MM
70	730	1390	2050	2710	3370	4030	4690
130	790	1450	2110	2770	3430	4090	4750
190	850	1510	2170	2830	3490	4150	4810
250	910	1570	2230	2890	3550	4210	4870
310	970	1630	2290	2950	3610	4270	4930
370	1030	1690	2350	3010	3670	4330	4990
430	1090	1750	2410	3070	3730	4390	5050
490	1150	1810	2470	3130	3790	4450	
550	1210	1870	2530	3190	3850	4510	
610	1270	1930	2590	3250	3910	4570	
670	1330	1990	2650	3310	3970	4630	

DIMENSIONS

TOP VIEW



ACCESSORIES¹

ALUMINUM CHANNELS FOR STRAIGHT LINE

FAS00-11TD

Rigid channel for straight line installations Including bracket tool 3pce

Weight : 230g
W x H x L : 32×15×1000mm



ALUMINUM MOUNTING BRACKET FOR FLEXIBLE LINE

FATD-HA(5pcs per pack)

Mounting bracket including bracket tool 1pc
Please use 5pcs per meter

Weight : 5g / PC
W x H x L : 32×15×36mm



¹ Select one method for installation. These accessories are not used together. See INSTALLATION.